



**INSTITUTE OF POWER  
ENGINEERING  
RESEARCH INSTITUTE  
GDAŃSK DIVISION**

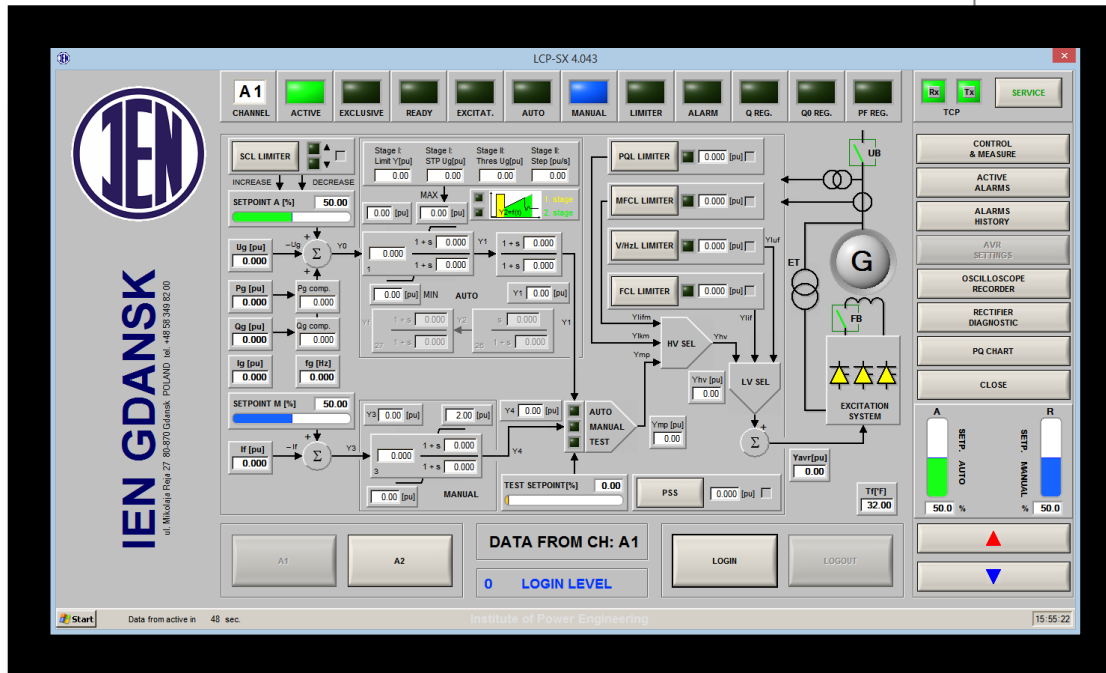
# P100C-SX

**AUTOMATIC VOLTAGE REGULATOR  
FOR STATIC SYSTEMS AND ROTATING EXCITERS**

1<sup>st</sup>  $\mu$ P: TI DSP 200 $\mu$ s  
2<sup>nd</sup>  $\mu$ P: ARM926-EJ  
14/46 BINARY IN  
8/24 BINARY OUT  
7/11 ANALOG IN  
3/7 ANALOG OUT



1 x ETHERNET  
2 x RS485  
1 x RS232  
1 x 1-WIRE  
1 x USB  
1 x DUAL-CH



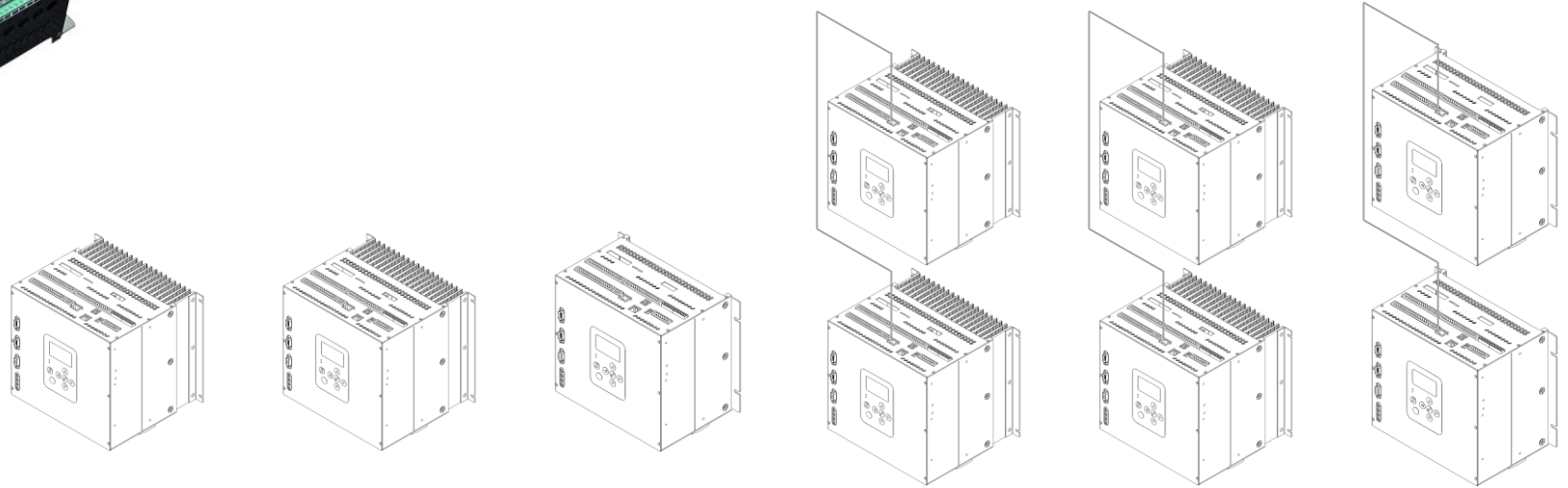
15-INCH TOUCH  
SCREEN LCP:  
SETTINGS  
MEASUREMENTS  
ALARMS  
EVENTS  
DATA RECORDER

MODBUS RTU  
MODBUS TCP  
IEC 60870-5-101  
IEC 60870-5-104  
IEC 61850



# P100C-SX

**AUTOMATIC VOLTAGE REGULATOR FOR STATIC SYSTEMS AND ROTATING EXCITERS**



## P100C-SX OPTIONS

Power Converter Type	Thyristor Rectifier	IGBT Amplifier	Thyristor Rectifier	Thyristor Rectifier	IGBT Amplifier	Thyristor Rectifier
Internal Power Converter	●	●	-	●	●	-
External Power Converter	-	-	●	-	-	●
Redundancy	-	-	-	●	●	●
1 Power Converter	●	●	●	●	●	●
2 Power Converters	-	-	●	-	-	●
3 Power Converters	-	-	●	-	-	●
4 Power Converters	-	-	●	-	-	●
Heat Sink #20A	●	●	-	●	●	-
Heat Sink #50A	●	●	-	●	●	-
Excitation Current	50A	50A	8kA	50A	50A	8kA
Inputs/Outputs Extension	●	●	●	●	●	●
15" Local Control Panel	●	●	●	●	●	●
Tuning Software	●	●	●	●	●	●
Mode A/M/PF/Q/Q0	●	●	●	●	●	●